

Catch-Pin Bracket

Electro[®]/1 and Electro[®]/2 Extended and Extended-Plus Brackets

A versatile, reconfigurable bracket system for monumental and high-bay shades with enhanced performance, rigidity, and ease of installation. Supports top-down and sloped/horizontal skylight applications.

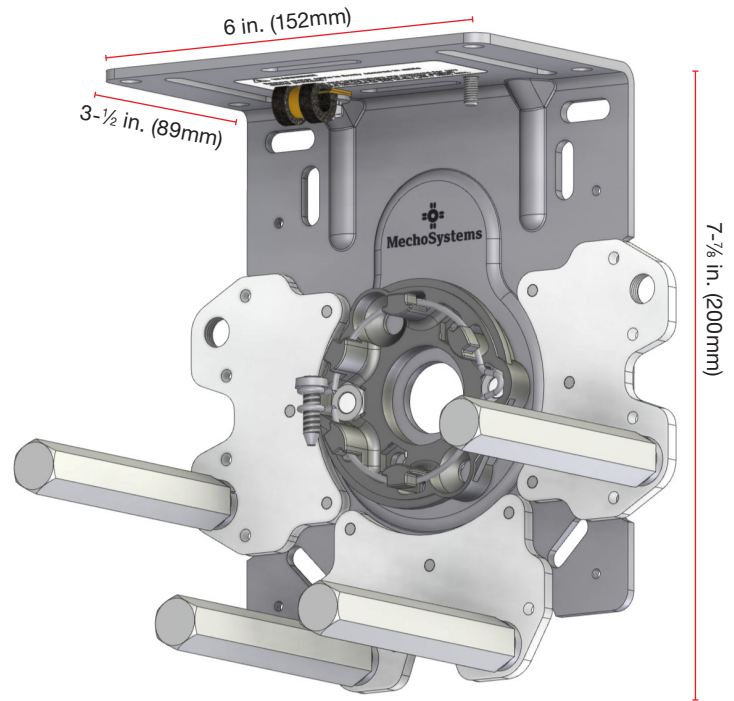
The bracket works with 3-½ in. (89mm), 4-½ in. (115mm) and 6 in. (152mm) tubes, handles shades with RUDs (roll-up diameter) up to 6-⅝ in. (168mm) with and without fascia and allows for ceiling, wall and jamb mount conditions.

A quieter, smoother and more reliable effect/performance is achieved through the use of self-aligning oil impregnated roller bearings in the idle end.

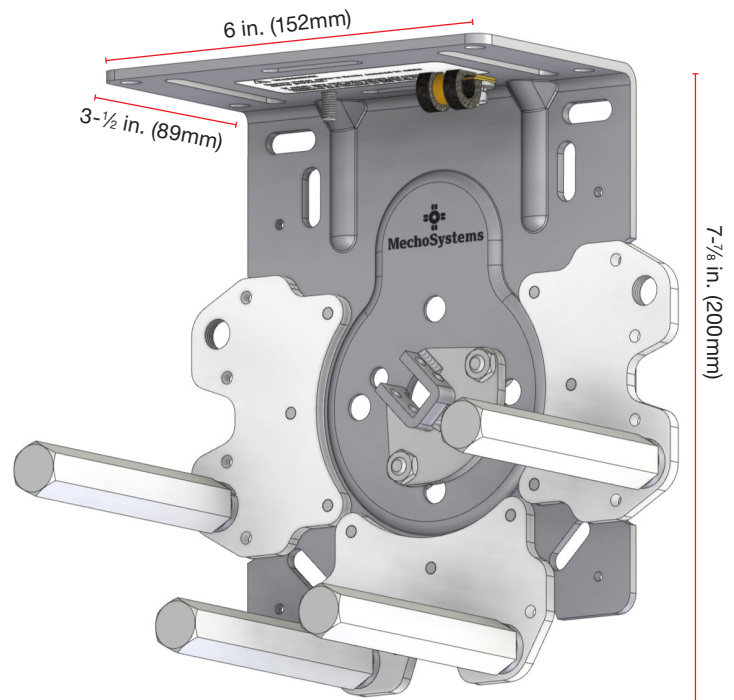
Key features include:

- Easy installation for ceiling, wall, or jamb mount with or without fascia.
- A wide top flange for better access to the mounting hardware around the shade tube.
- Slots on the mounting flange of the bracket for easy adjustment in projection and width.
- Support of round-head motor applications up to 25Nm and star-head motor applications up to 50Nm.
- Support Pins are removable for shade installation and replaceable after installation.
- Removable ears for pocket mounting

Ceiling mount, star head



Ceiling mount, round head



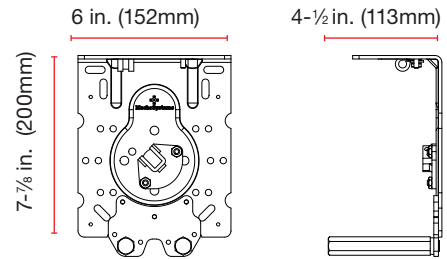
Catch Pin Bracket

Electro[®]/1 and Electro[®]/2 Extended and Extended Plus

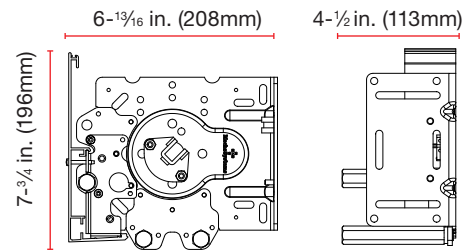
Specifications

- Max RUD for E1 & E2 Extended – 5-⁵/₈ in. (137mm)
- Max RUD for E1 & E2 Extended Plus – 6-⁵/₈ in. (168 mm)
- Max motor torque for round head motor – 25 Nm
- Max motor torque for star head motor – 50 Nm
- Max system weight – 400 lb (181 kg)
- Max load on the light duty idle end pin – 100 lb (45 kg)
- Max load on the heavy duty idle end shaft – 200 lb (90 kg)
- Tubes available 3-¹/₂ in. (89 mm), 4-¹/₂ in. (114.5mm), and 6 in (152mm)
- Pins screw in and out for simple installation and additional support.

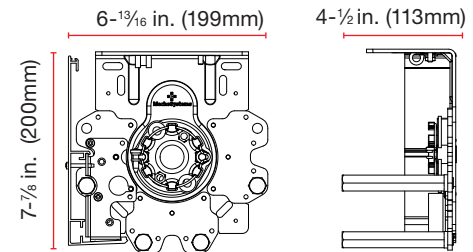
Pocket mount, round head



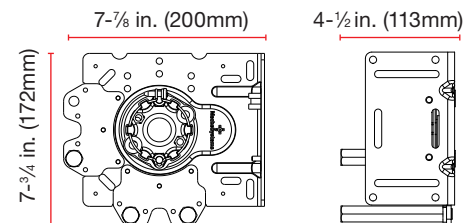
Wall mount, round head with fascia



Ceiling mount, star head with fascia



Wall mount, star head



Dimensions

System	Max Roll Up Diameter (RUD)	Tube Diameter	Max Height*		
			0700 series	1300 series	6000 series
Catch Pin Bracket Extended	5- ⁵ / ₈ in. 144mm	3- ¹ / ₂ in.	50 ft (25.6m)	41 ft (12.5m)	50 ft (15.3m)
		4- ¹ / ₂ in.	48 ft (14.6m)	23 ft (7m)	28 ft (8.5m)
Catch Pin Bracket Extended Plus	6- ⁵ / ₈ in. 168mm	3- ¹ / ₂ in.	50 ft (41.8m)	50 ft (20.7m)	50 ft (25m)
		4- ¹ / ₂ in.	50 ft (31.1m)	50 ft (15.3m)	50 ft (18.3m)
		6 in.	32 ft (9.8m)	15 ft (4.6m)	18 ft (5.5m)

* Shades greater than 50 ft in height, will require customization.

* Battens are not included in max. height calculations.



MechoSystems
Corporate Headquarters
42-03 35th Street
Long Island City, NY 11101

T: +1 (718) 729-2020
F: +1 (718) 729-2941
E: info@mechosystems.com
W: mechosystems.com

